



1	About Us
2	Mission & Vision
3	Toilet Seats
4	Cisterns & Toilet Seats: Accessories
5	Mechanisms
6	Mechanisms: Accessories
7	Inlet Valves
8	Inlet Valves: Accessories
9	Outlet Valves
10	Outlet Valves: Accessories
11	Wastes & Shower Traps
12	Wastes & Shower Traps: Accessories
13	Du Bois Traps
14	Du Bois Traps: Accessories
15	Rubber Traps
16	PVC Traps
17	Spares

Dutton Plastics

A legacy of excellence

Dutton Plastics Engineering (DPE) was founded in 1957 as a company producing dies for metal pressings. Over the years that followed, DPE grew from strength to strength and in 1987 we became part of the Zimco Group of Companies, who are South Africa's leading producer of Industrial and Base minerals, a major producer and supplier of Zinc, Lead, Aluminium Metal and Alloys, related chemicals and engineering plastics. Zimco was purchased by Eco-Bat Technologies in 1999, a parent company with operations in the UK, France, Germany, Italy, Austria and the USA.

Packaging

Along with supply to the aerosol industry Dutton supplies injection moulded packaging used in the pharmaceutical, mining, personal care and household sectors. Dutton's in-house Toolroom and mould making facilities allows Dutton to assist these industries in designing and manufacturing quality products.

Research & Development

At DPE, creative work is undertaken systematically to devise new products. In a highly dynamic and fast changing industry, our Research and Development department continually revise and improve our designs and product ranges. DPE remains at the forefront of development in our industry and is committed to meeting the demands of our customers.

[Click here for more info on DPE Packaging division](#)

[Click here for more info on DPE's processes](#)



Dutton Plastics
ENGINEERING
A Division of the Zimco Group (Pty) Ltd.



Mission & Vision

Always aim towards being the No1 plastics injection manufacturer in our chosen markets.

In support of our mission statement, our vision, values and goals Dutton Plastics Engineering is committed to:

An Entrepreneurial drive, Continuous improvement, Innovative spirit, Customer driven service and establishing a value adding relationship with both our customers and suppliers. All this is done to assist with quality enhancement and the introduction of new product opportunities to ensure the achievement of sustained growth.

To continually review the adequacy, sustainability and effectiveness of our policies, procedures, techniques, designs and equipment to ensure that we are able to produce products and services which are competitive, sustainable and in accordance with customers' needs.

Ensure that there is a clear documented understanding of customer and market requirements to ensure that customer expectations are exceeded, while complying with all the National and International standards.

This is a journey we at DPE embark on as a team, objectively striving for:



Continuous improvement



Entrepreneurial drive



Innovative spirit



Customer driven service

Toilet Seats

THERMOPLASTIC



FR01A
Elf New Seat & Cover White



FR01**
Elf 82 White Seat & Cover
Available in Black



FR200*
LUX2000 White Seat & Cover
Various Colours Available*

THERMOSET/UREA



FS27A*
B2 Economy White Seat & Cover
Various Colours Available*



EMWH
Embassy Seat & Cover
Stainless Steel Hinges



FS28A
A1 Deluxe White Seat & Cover
Heavy Duty Toilet Seat



FS28B
A1 High Traffic White Seat & Cover
Heavy Duty Toilet Seat

WOOD



EW01
Economy
Wood Seat & Cover



*Available In These Colours:

- Champagne
- Almond
- Whisper Pink
- Bermuda Blue
- Avocado
- Twilight Grey
- Jasmine
- Kalahari Beige
- Black**

Cisterns & Toilet Seats : Accessories

FRONT FLUSH CISTERNS



FD16B
Elf Cistern (9ltr)



FD16F
Front Flush Cistern (6ltr)

TOP FLUSH CISTERNS



FD16DF
Dual Flush Cistern (9ltr)



FD16E
Ecolux Cistern (6ltr)

TOILET SEAT HINGES



FS31/N
A1/B2 Hinge Set
Available In All Seat Colours



FR101
Elf 82 / Lux2000 Hinge Set
Available In All Seat Colours



CHI-01
Embassy Hinge Set
Stainless Steel

TOILET SEAT BUFFERS



B2 Economy Buffers
FS36 Seat Buffer
FP99 Lid Buffer



LUX 2000 Buffers
FQ05 Seat Buffer



ELF 82 Buffers
FU27 Seat Buffer



A1 Deluxe / Embassy Buffers
FS64 Seat Buffer
FS58 Lid Buffer

Mechanisms

BOTTOM INLET



CCFF1
Close Couple Front Flush Universal Mechanism
1 3/4"



LLFF1
Low Level Front Flush Universal Mechanism
1 3/4"



CCTP1
Close Couple Top Flush Universal Mechanism
1 3/4"



SCCFF1
Semi Close Couple Front Flush Universal Mechanism
1 3/4"



CCFF1 - Lite
Close Couple Front Flush Universal Mechanism
1 3/4"
Interruptible Flush



LLFF1 - Lite
Low Level Front Flush Universal Mechanism
1 3/4"
Interruptible Flush



CCTP1 - Lite
Close Couple Top Flush Universal Mechanism
1 3/4"
Interruptible Flush

SIDE INLET



FP15A
Low Level Side Inlet Universal Mechanism
1 3/4"



FP15D
Close Couple Front Flush Side Inlet Universal Mechanism
1 3/4"



FP16A
ELF Mechanism Pack Low Level Front Flush
1 3/4"

DUAL FLUSH



CCDFC
Close Couple Dual Flush Cable Universal Mechanism
2" (Available boxed and bagged)



CCDFH
Close Couple Dual Flush Universal Mechanism
2"

Mechanism: Accessories

MECHANISM VALVES



FPDFC
Classic dual flush



FP10F
Supa Flush Outlet Valve



FP10FL
Supa Flush Lite Outlet Valve
Interruptible Flush



FPDFH
Dual Flush Outlet Valve



FP11A
Fill Master Inlet Valve



FP23K / FP23P
Flush Pipes



FPCFR-02
Close Couple Foam Ring



FPCSC-31
Fixation Screws



FP391
Die Cast Chrome Plated Handle



FP91G
Swivel Lever Arm



FP395
Top Flush Button Assembly



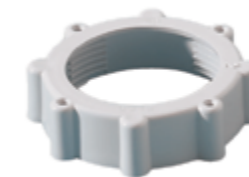
FP90A
1 3/4" Back Nut



FP90F
2" Back Nut



FP950
1 3/4" Conical Washer



FP90B
1 3/4" Cap Nut



FP393CP
Clip In Handle System

Inlet Valves



BALL VALVES



FP3
Side Inlet Kleenflo
263mm Aluminium arm (FP23E/A)



FP2
Bottom Inlet Kleenflo
Straight
220mm Aluminium arm (FP23G/A)



FP049
Bottom Inlet Kleenflo
Bent
180mm Aluminium arm (FP24E/A)



FP050
Bottom Inlet Kleenflo
Bent
202mm Aluminium arm (FP24F/A)



FP288
Bottom Inlet Kleenflo
Bent
168mm Aluminium arm (FP24H/A)



FP53
Side Inlet Stilflo



FP61
Bottom Inlet Stilflo
Straight



FP11S
Fillmaster Side Inlet
Universal
Adjustable stem



FP11A
Fillmaster Bottom Inlet
Universal
Telescopic stem

Pressures guaranteed on all houses with PVR (Up to 7kpa) installed on inlet line

FLOAT VALVES

Inlet Valves: Accessories



VALVES SPARES



6232-0
Split Pin (4 x 24 mm)



FP78A
Conical Washer 1/2"



FP78
Flat Washer 1/2"



FP90C
Back Nut 1/2"



FPCDI-11
Fillmaster Diaphragm



FP236
Stilflo Diaphragm



FPCDI-01
Kleenflo Diaphragm



FPCWS-10
Seat Nozzle washer



FP24A 140mm
FP24E/A 180mm
FP23D/A 245mm
FP23G/A 220mm
FP23E/A 263mm
FP23F/A 278mm



FP92

Ball Valve Arm Shoe



FP93

Ball Valve Arm Stud



WA15

15mm Plumex Washer



WA20

20mm Plumex Washer

BALL FLOATS



FP18
125mm Orange Ball Float



FP70
150mm Orange Ball Float



FP21A
110mm Orange Ball Float



FP21D
80mm Orange Ball Float

Outlet Valves



SUPA FLUSH VALVES



FP10F
Supa Flush Valve Only
1 1/4" Outlet



FP10FL
Supa Flush Lite Outlet Valve
Interruptible Flush



FP12B
Supa Flush Valve With Handle
1 1/4" Outlet



FP12D
Supa Flush Valve With Handle And
Flush Pipe
1 1/4" Outlet

BETA VALVES



FP46
Beta Valve With Handle
1 1/4" Outlet



FP44
Beta Valve With Handle And Flush
Pipe
1 1/4" Outlet



FP45
Beta Valve Only
1 1/4" Outlet

DUAL FLUSH VALVES



FPDFH
Dual Flush Valve With Button
2" Outlet



FPDFC
Classic dual flush
2" Outlet

Outlet Valves: Accessories



FP393
Die Cast CP Handle With Sleeve
(Short)



FP39
Die Cast CP Handle With Bush & Nut



FP391
Die Cast CP Handle With Sleeve
(Long)



FP395
Single Top Push Button Assembly



FP398
Dual Flush Button Assembly



6231-0
Split Pin (4 x 37)



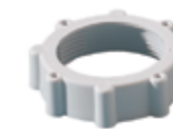
FP82B
1 1/2" Conical Washer



FP82A
1 1/2" Sealing Washer



FP90A
1 1/2" Back Nut



FP90B
1 1/2" Cap Nut



FPCFR-02
Close Couple Foam Ring



FP23K
1 1/2" Low Level Flush Pipe



FP23P
1 1/2" Semi Close Couple Flush Pipe



FP95F
1 1/2" 90° Flush Pipe



FP95A
1 1/2" Flush Pipe For Concealed
Cistern



FPCSC-31
Fixation Screws (Long)



FPCSC-30
Fixation Screws (Short)



FP47
Beta Valve Dropper Pin



PF49
Flush Pipe Connector (White)



PF50
Flush Pipe Connector (White)



FP59
Rubber Bung (Black)



FP202
Tap Hole Stopper



FP28
Cistern Stopper (White)



FP27
Cistern Stopper (Chrome)



FP393CP
Clip In Handle System



FP38
Plastic Handle Assembly



FP41
Syphonic Lever Arm



FP40
Beta Valve Lever Arm



FP91G
Swivel Lever Arm



FP81A
Adjusting Rod For Supa Flush



FP81
Lever Hook For Supa Flush



FPCWS-09
Beta Valve Sealing Washer (Flat)



FPCWS-12
Beta Valve Sealing Washer (Lipped)



FPCWS-14
Supa Flush Sealing Washer

Wastes & Shower Traps



WASTES



FP4
Bath Waste 1 1/2" x 50 mm



FP32/I
Sink Waste 1 1/2" x 85 mm
Universal
Cut-out tab to make slotted



FP241
Basin Waste 1 1/4" x 50mm



FP5/I
Basin Waste 1 1/4" x 50mm
Universal
Cut out to make slotted



FP8
Urinal Waste 1 1/2" x 85 mm



FP239
Shower Waste 1 1/2" x 85 mm



FP30
Sink Combination Waste



FP63
Bath Combination Waste



FP97
1 1/4" Nut For Waste



FP91
1 1/2" Nut For Waste



FP82E
1 1/2" Washer For Waste



FP82
1 1/2" Washer For Waste

SHOWER TRAPS



P50SSHC
50mm Shallow Seal Shower Trap
Available With 40mm outlet
(P40SSHC)



P50MSHC
50mm Medium Seal Shower Trap
Available With 40mm Outlet
(P40MSHC)



P50SQ
100mm Stainless Steel Grate
with tiling plate
40mm Outlet, 38mm Seal
Available with 50mm Outlet

Wastes & Shower Traps: Accessories



STCG
CP Shower Grating



CCS-08
Basin Chain With Stay



CCS-09
Bath Chain With Hook



FP88
40mm Plastic Waste Washer



WA32
32Mm Plastic Waste Washer

Du Bois Plastic Traps



P-TRAPS



DB9A
Shower Trap With Plain Grating
40mm Outlet, 38mm Seal
Available with 50mm Outlet



DB9(1)A
Shower Trap With Chrome Grating
40mm Outlet, 38mm Seal
Available with 50mm Outlet



DB1A
Basin "P" Trap 1 1/2" x 40mm
38mm Seal
Available With 50mm Outlet



DB3A
Sink "P" Trap 1 1/2" x 40mm
38mm Seal
Available With 50mm Outlet

S-TRAPS



DB5A
Basin "S" Trap 1 1/2" x 40mm
38mm Seal
Available With 50mm Outlet



DB7A
Basin "S" Trap 1 1/2" x 40mm
38mm Seal
Available With 50mm Outlet



DB8A
Basin "S" Trap 1 1/2" x 40mm
76mm Seal
Available With 50mm Outlet

BATH & SINK TRAPS



DB17
Flexible Overflow With Rosette



DB11A
Bath Trap Combination With Overflow,
Waste, Plug And Chain
40mm Outlet, 38mm Seal



DB12A
Bath Trap only 1 1/2" x 40mm
38mm Seal
Available With 50mm Outlet



DB16A
Sink Combination Trap
40mm Outlet, 38mm Seal

BOTTLE TRAPS



DB20A/AV & DB22A/AV
Anti-vac Bottle Trap Plain 1 1/4" x 40mm Anti-vac
Bottle Trap Plain 1 1/2" x 40mm
Both Available with 50mm Outlet



DB20A & DB22A
Bottle Trap Plain 1 1/4" x 40mm
Bottle Trap Plain 1 1/2" x 40mm
Both Available With 50mm Outlet



DB21A & DB23A
Bottle Trap Chrome Plated 1 1/4" x 40mm
Bottle Trap Chrome Plated 1 1/2" x 40mm
Both Available With 50mm Outlet

Du Bois Plastic Traps: Accessories



DB16AT(1)
T Junction (2 Open 1 Closed Nuts)



WMDM
Washing Machine Extension Piece



DPSG
Shower Trap Grating (Plain)



DBSTCG
Shower Trap Grating (CP)



FPEOP
Extendable Overflow Pipe



32FW
1 1/2" Washer For Extension Piece



CRO-01/A
CP Bath Overflow Rosette



FPSP
Flexible Pan Connector (Soil Pipe)



FPST
Slinky Trap Universal Adaptor Fits 1 1/4" & 1 1/2" Waste Outlets
Can Be Cut To Fit 40mm And 50mm PVC Pipe
FPST (a) Slinky Trap Manipulated to "P" Trap
FPST (b) Slinky Trap Manipulated to "S" Trap



DUCK
50mm Trap Duckseal connection
Waste fitting and plug



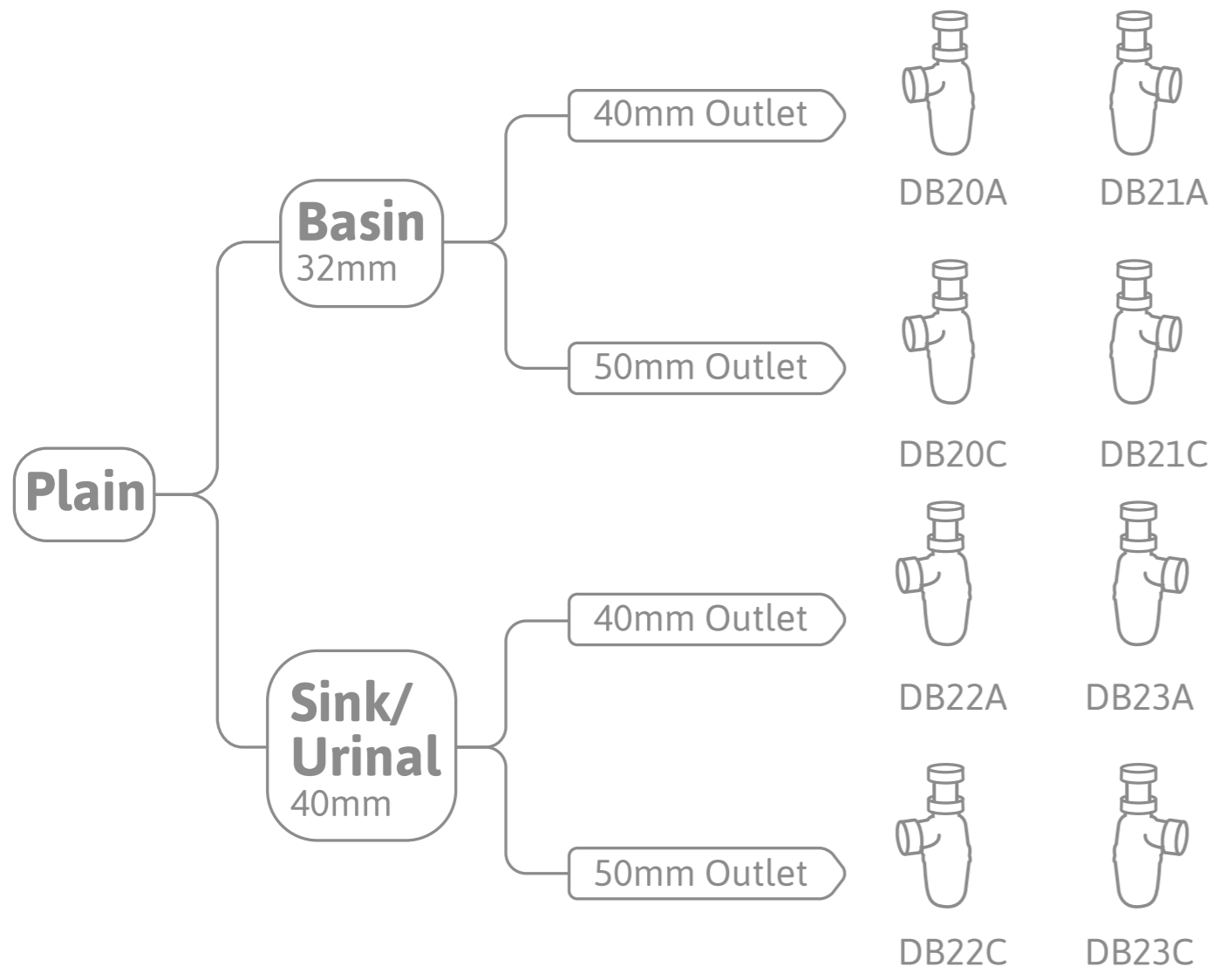
Daisy
SCC White Rubber Flush Pipe



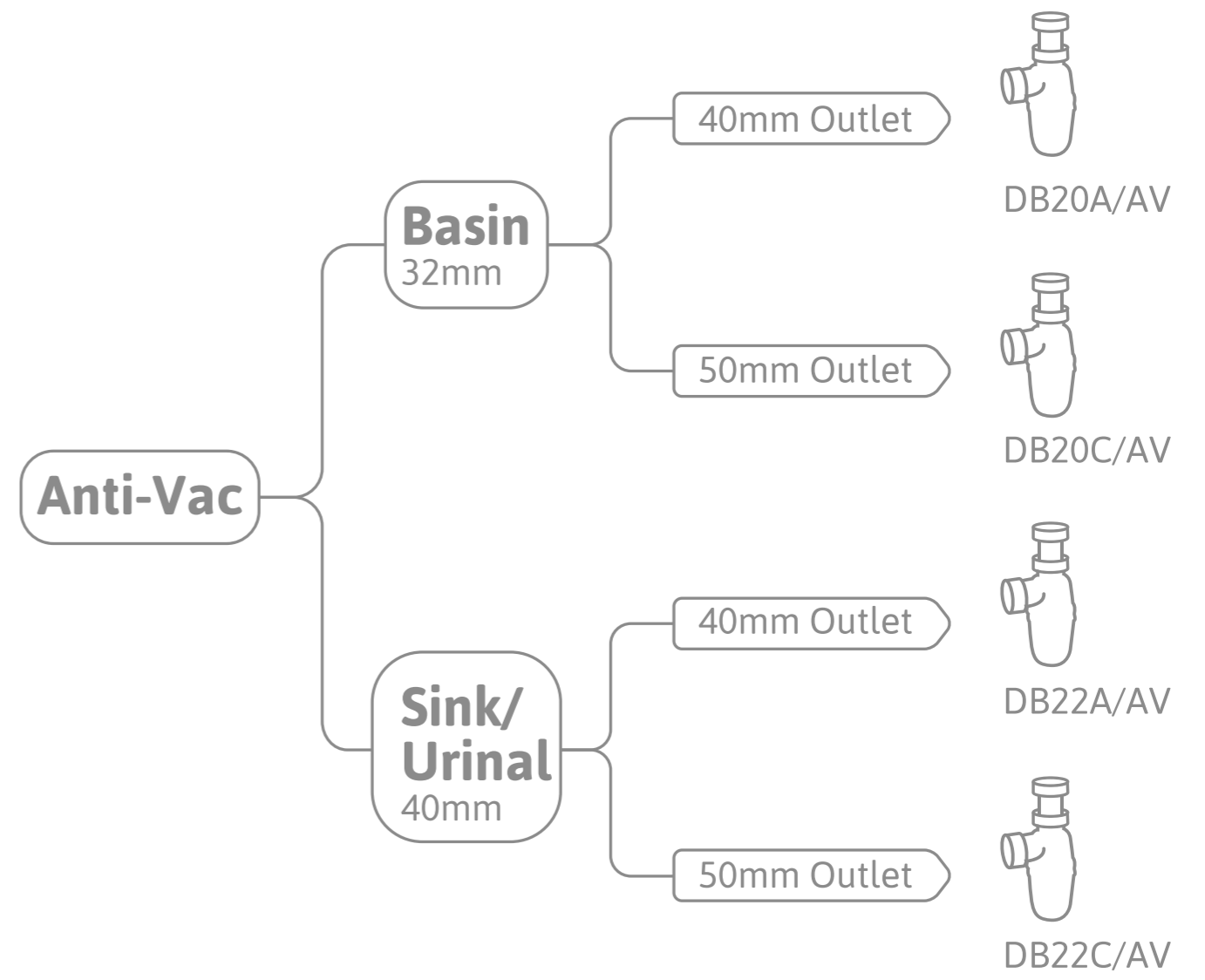
Foxi
White Foxyfit Flexible Pan Adaptor



Du Bois Plastic Traps



Du Bois Plastic Traps: Accessories



Rubber Traps

Rubber Traps Supplied With Screw Clamps

P-TRAPS



F3240PUP

32mm x 40mm Plain Universal "P" Trap
Cut To The Required Size



F3240RUP

32mm x 40mm Reseal Universal "P"
Trap Cut To The Required Size



F3240PMP, F32PMP & F40PMP

32mm x 40mm Plain Mini "P" Trap
32mm x 32mm Plain Mini "P" Trap
40mm x 40mm Plain Mini "P" Trap



F40RMP

40mm x 40mm Reseal Mini "P" Trap

S-TRAPS



F3240PUS

32mm x 40mm Plain Universal "S" Trap
Cut To The Required Size



F3240RUS

32mm x 40mm Reseal Universal "S" Trap
Cut To The Required Size

BATH & SINK TRAPS



F40RBC

40mm Reseal Bath Combination Trap



F40PBC

40mm Plain Bath Combination Trap



F300WTC

300mm Wash Through Combination Trap



F600WTC

600mm Wash Through Combination Trap

CLAPMS



F32C & F40C

32mm Flexi Clamp
40mm Flexi Clamp

All Rubber traps are packaged and barcoded



PVC Traps

PVC Traps Supplied With Screw Clamps



PV3240PUP

32mm x 40mm Plain Universal "P" Trap
Cut To The Required Size



PV3240RUP

32mm x 40mm Reseal Universal "P"
Trap
Cut To The Required Size



PV3240RMP

40mm x 40mm Reseal Mini "P" Trap



PV3240RUS

32mm x 40mm Reseal Universal "S"
Trap Cut To The Required Size



PV3240PUS

32mm x 40mm Plain Universal "P" Trap
Cut To The Required Size



PV40RBC

40mm Reseal Bath Combination Trap



PV40PBC

40mm Plain Bath Combination Trap



PV300WTC

Wash Through Combination Trap



PV600WTC

Wash Through Combination Trap



F32C & F40C

32mm Flexi Clamp
40mm Flexi Clamp

All PVC traps are packaged and barcoded



Spares



Head Office
 14 Dienst Street
 Alrode Ext. 2.
 Alberton
 Tel: +27 11 617 5000
 Fax: +27 11 864 2677
 E-mail: info@dutton.co.za

P.O. Box 145092
 Bracken Gardens
 1452
 Republic of South Africa

Cape Town Tel: +27 (0) 21 951 1102 Fax: +27 (0) 21 951 1116	Durban Tel: +27 (0) 31 705 2553 Fax: +27 (0) 31 705 2395	Port Elizabeth Tel: +27 (0) 41 486 3678 Fax: +27 (0) 41 486 3865
--	---	---



ISO 9001 : 2008 CERTIFIED
OHSAS 18001 : 2007 CERTIFIED
ISO 14001 : 2004 CERTIFIED

Most of our spares are available in pre-pack form
 Display stands are supplied by DPE
Terms and conditions apply