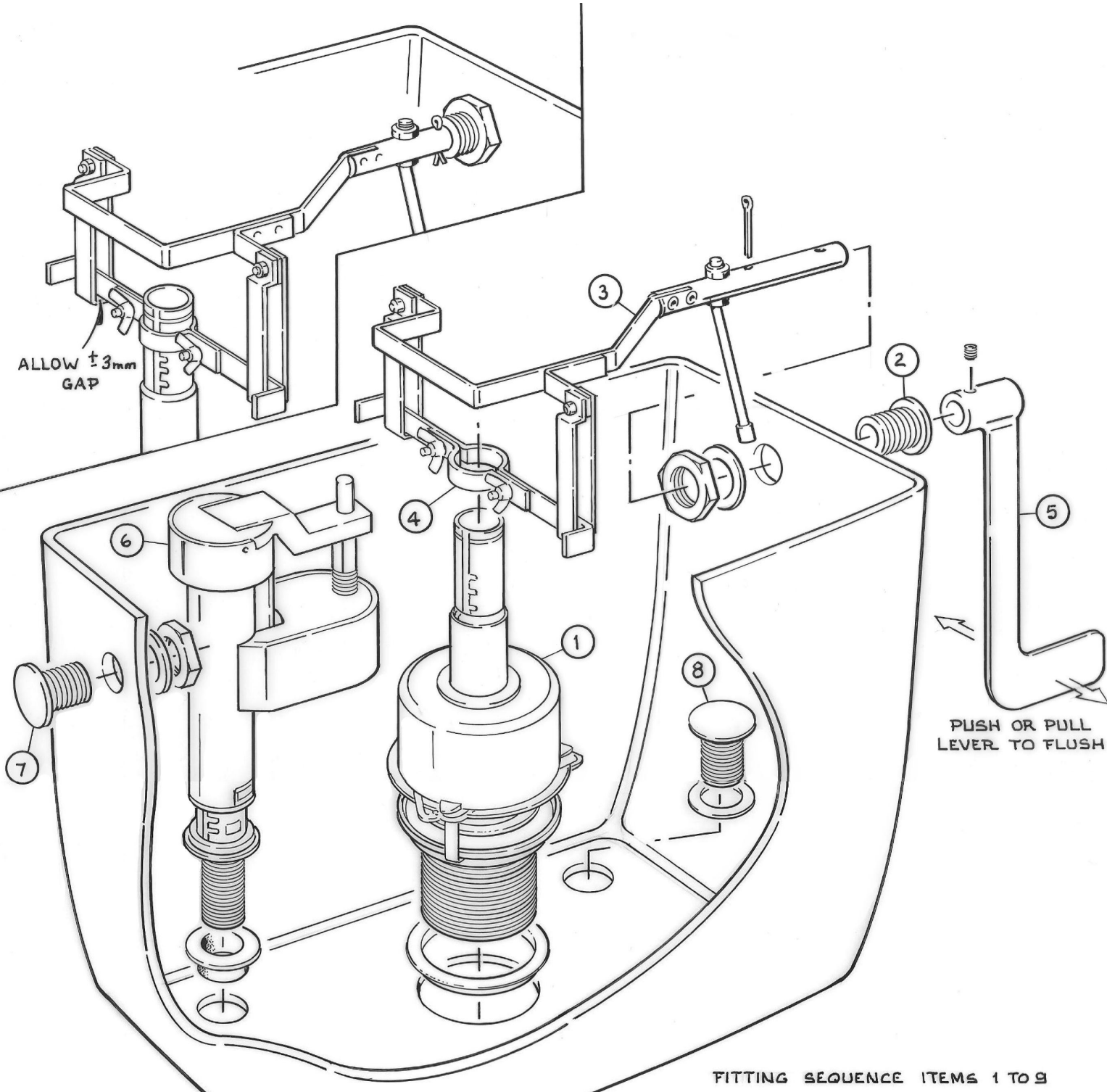


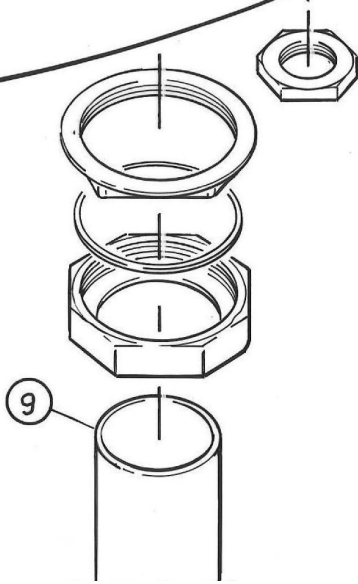
ALLOW $\pm 3\text{mm}$
GAP



PUSH OR PULL
LEVER TO FLUSH

FITTING SEQUENCE ITEMS 1 TO 9

FLUSHING MECHANISM
FUNCTIONAL DESIGN
PROTECTION N° F 2009/01013



Vaal
SANITARYWARE